



30 Pine Street • New Rochelle • New York • 10801

914 / 576 - 0200

914 / 576 - 0605 fax

1 - 800 - 431 - 2745 US & Canada

www.bakerspride.com web address

GP-61

Counter Top Gas Oven

PARTS LIST



Model Number: **GP-61**

Serial Number: _____

Type of Gas

Natural

L.P.

Other

GP-61

Counter Top Gas Oven

30 Pine Street • New Rochelle • New York • 10801

914 / 576 - 0200

914 / 576 - 0605 fax

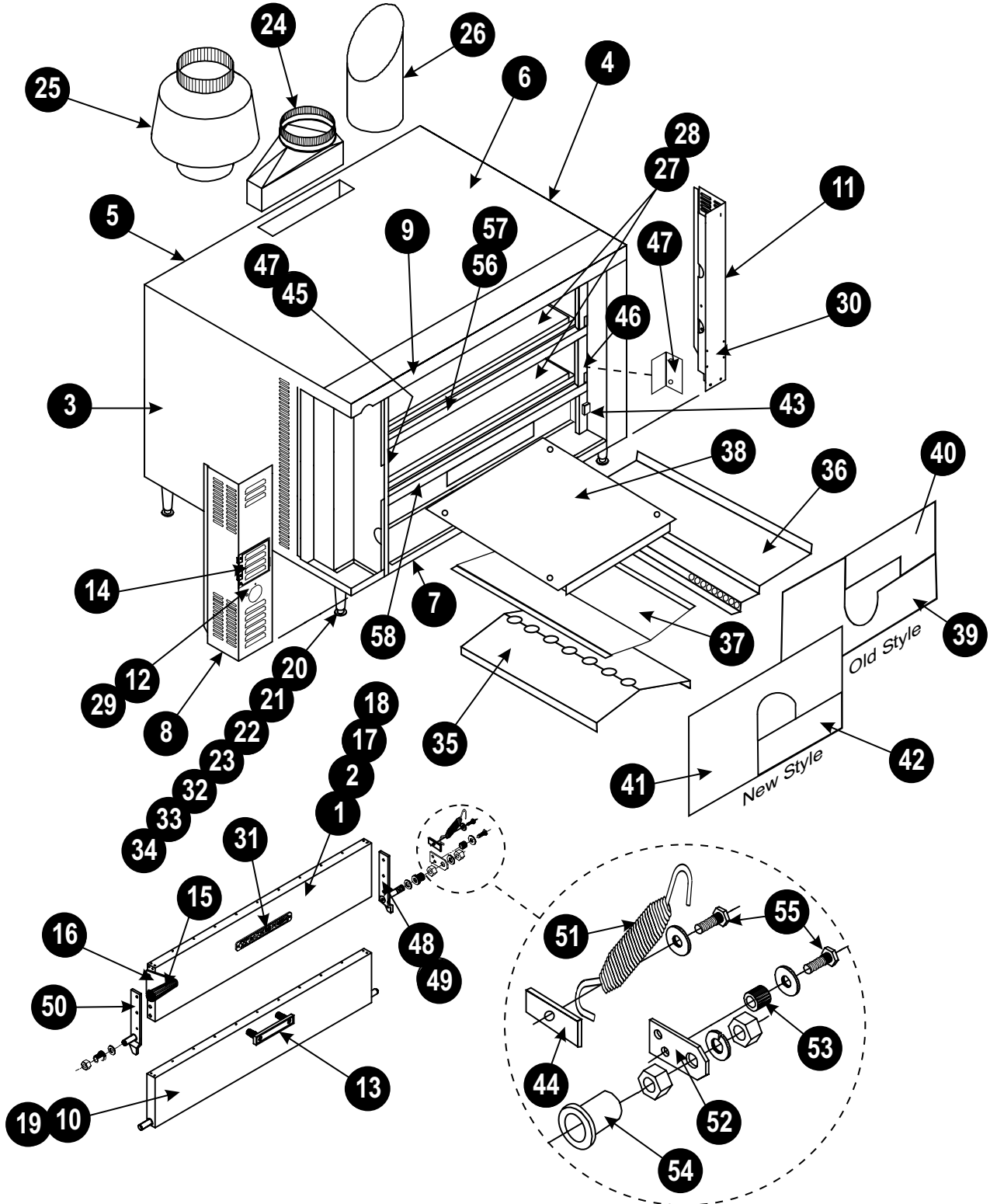
1 - 800 - 431 - 2745 US & Canada

www.bakerspride.com web address



Figure A

Exterior / Decks / Burner Compartment / Door Rod / Interior Trim





30 Pine Street • New Rochelle • New York • 10801

914 / 576 - 0200

914 / 576 - 0605 fax

1 - 800 - 431 - 2745 US & Canada

www.bakerspride.com web address

GP-61

Counter Top Gas Oven

| Item | Part # | Description | Item | Part # | Description |
|---|--------|--|--|--------|-------------------------------------|
| Exterior / Decks | | | | | |
| 1 | A5228X | S/S Top Door Cover 14" | 19 | A5276X | Burner Door |
| 2 | A5229X | S/S Top Door Cover 7" | 20 | S1014A | 4" Leg Adjustable |
| 3 | A5231X | Left Outer S/S Side | 21 | S1050Y | 30" Leg Painted Gray |
| 4 | A5232X | Right Outer S/S Side | 22 | S1212Y | 30" Leg S/S |
| 5 | A5233X | Back Outer S/S | 23 | S1241X | 16" Leg S/S |
| 6 | A5234X | Top Outer S/S | 24 | R3087X | Flue Adapter 6" |
| 7 | A5225X | Bottom Trim | 25 | R3002X | Direct Vent Draft Flue 6" |
| 8 | A5226X | Control Panel | 26 | R3103X | Collection Hood Draft Flue w/o Tabs |
| 9 | A5235X | Top Trim | 27 | T1116Y | Ceramic Deck (each) |
| 10 | A5230X | Burner Door Cover S/S | | T1080K | Steel Deck (each) |
| 11 | A5227X | Right Front Panel S/S | 28 | T1116X | Ceramic Deck (set of 2) |
| 12 | A4129X | Control Panel w/Lighting Instr. Plate | 29 | U1172X | Lighting Instruction Plate |
| 13 | S1149X | Burner Door Handle w/Screw | 30 | U1140X | Minimum Clearance Plate |
| 14 | A4129X | Control Door | 31 | U1044A | Bakers Pride Name Plate 8" |
| 15 | S1300X | Top Door Handle w/Screw | 32 | T8088X | Leg Shelf |
| 16 | A5253X | Door Handle Mount | 33 | S1022X | 4" Casters w/No Locks |
| 17 | A5287X | Top Door 7" | 34 | S1023X | 4" Casters w/Locks |
| 18 | A5286X | Top Door 14" | | | |
| Burner Compartment | | | | | |
| 35 | A5258X | Upper Breather Pan | 40 | A5252X | Burner Access Cover O/S |
| 36 | A5244X | Flue Deflector (Set: Left & Right) | 41 | A5301K | Combustion Chamber Front Center |
| 37 | A5237X | Slide Out Flame Diverter | 42 | A5302K | Burner Access Cover |
| 38 | A5259X | Insulation Pan (Set: Top & Bottom) | 43 | S3203X | Magnetic Latch Assembly |
| 39 | A5251X | Combustion Chamber Front Center O/S | | | |
| Door Rod & Accessories / Interior Trim | | | | | |
| 44 | A5288X | Spring Bracket | 51 | S3105X | Door Spring (used with 14" door) |
| 45 | A5291X | Left Door Stop | 52 | A5295X | Lever Arm |
| 46 | A5292X | Right Door Stop | 53 | S3007X | Roller |
| 47 | A5293X | Door Stop Shield (Fits on Left or Right) | 54 | S3008X | Bushing |
| 48 | A5297X | Right Door Arm Assembly | 55 | Q2301X | Shoulder Bolt |
| 49 | A5308X | Right Door Arm Assembly (Complete) | 56 | A5267X | Upper Deck Trim Assembly 7" Door |
| 50 | A5296X | Left Door Arm Assembly | 57 | A5305X | Upper Deck Trim Assembly 14" Door |
| 51 | S3004X | Door Spring (used with 7" door) | 58 | A5265X | Lower Deck Trim Assembly (All) |
| Quan | Part # | Description | Quan | Part # | Description |
| BGOR Conversion Kit (From Nat. to L.P.) | | | BGOR Conversion Kit (From L.P. to Nat.) | | |
| 1 | R3091X | Burner Orifice L/P (Drill #48) | 1 | R3146X | Burner Orifice N/G (Drill #30) |
| 1 | M1245X | Pilot Orifice L.P. | 1 | M1244X | Pilot Orifice N/G |
| 1 | M1221X | L/P BGOR or BMVR Valve Conversion Kit | 1 | M1297X | N/G BGOR Valve Conversion Kit |
| BMVR Conversion Kit (From Nat. to L.P.) | | | BMVR Conversion Kit (From L.P. to Nat.) | | |
| 1 | R3091X | Burner Orifice L/P (Drill #48) | 1 | R3146X | Burner Orifice N/G (Drill #30) |
| 1 | M1245X | Pilot Orifice L.P. | 1 | M1244X | Pilot Orifice N/G |
| 1 | M1221X | L/P BGOR or BMVR Valve Conversion Kit | 1 | M1260X | N/G BMVR Valve Conversion Kit |

GP-61

Counter Top Gas Oven

30 Pine Street • New Rochelle • New York • 10801

914 / 576 - 0200

914 / 576 - 0605 fax

1 - 800 - 431 - 2745 US & Canada

www.bakerspride.com web address



| Figure B | Burner | Item | Part # | Description |
|----------|--------|--------|---------------------------------|--|
| | | 59 | L5036X | Burner w/Inspirator to Union w/o Orifice O/S |
| | | 60 | L5095X | Burner w/Cap & Elbow O/S |
| | | 61 | L5108X | Burner w/Inspirator to Union w/o Orifice |
| | | 62 | L5096X | Burner w/Cap & Elbow |
| | | 63 | K1237X | Pilot Bracket Adapter (Used on O/S Burner) |
| | | 64 | M1220X | Pilot Burner N/G |
| | | 65 | M1222X | Pilot Burner L/P |
| | | 66 | M1244X | Pilot Orifice N/G |
| | | 67 | M1245X | Pilot Orifice L.P. |
| | | 68 | R3036X | S/S Pilot Tubing 45" |
| | | 69 | L5032X | Inspirator #2 |
| | | 70 | R3075X | Spud Assembly #2 w/o Orifice |
| | | 71 | R3146X | Burner Orifice N/G (Drill #30) |
| | | 72 | R3091X | Burner Orifice L/P (Drill #48) |
| | | 73 | R3080X | Blank Spud #2 (For #2 Inspirator) |
| | 74 | M1296X | Thermocouple T-46 (Used w/BGOR) | |
| | 75 | M1265X | Thermopile (Used w/BMVR) | |

| Figure C | Plumbing Control | Item | Part # | Description |
|----------|------------------|--------|------------------------------------|--|
| | | 76 * | M1392X | Control Assy To Union N/G (BGOR) |
| | | 77 * | M1393X | Control Assy To Union L/P (BGOR) |
| | | 78 | M1290X | Control Assy To Union N/G (BMVR) O/S |
| | | 79 | M1291X | Control Assy To Union L/P (BMVR) O/S |
| | | 80 | M1005X | Thermostat |
| | | 81 | S1056X | Thermostat Knob "F" |
| | | 82 | S1163X | Thermostat Knob "C" |
| | | 83 | R3152X | 7000 Valve, BGOR, N/G (After SN339, 8/98) |
| | | 84 * | R3154X | 7000 Valve, BGOR, L/P (After SN339, 8/98) |
| | | 85 | M1297X | N/G BGOR Valve Conversion Kit |
| | | 86 | M1221X | L/P BGOR or BMVR Valve Conversion Kit |
| | | 87 * | R3156X | 7000 Combo Valve N/G (Europe-BGOR) |
| | | 88 | R3104X | 7000 Valve, BMVR, N/G (Before SN440, 8/98) |
| | | 89 | M1260X | N/G BMVR Valve Conversion Kit |
| | | 90 | R3124X | 7000 Valve, BMVR, L/P (Before SN440, 8/98) |
| | N/S | Q4021X | Capillary Clip (Thermostat Sensor) | |
| | N/S | A5173S | Stacking Bracket Kit | |
| | | * | Discontinued 7/00. | Substitute BMVR parts listed above. ALWAYS INCLUDE #M1265X Thermopile. |