

HIGH PERFORMANCE HEAVY DUTY FLOOR MODEL RADIANT CHARBROILERS



Model CH-6J

Specifications

Extra heavy duty radiant charbroilers are designed for high volume broiling without charcoal or ceramic stones.

The CHJ Series features unitized construction. The entire chassis frame including the base is hand crafted of $\frac{1}{2}$ " (13mm) to $\frac{1}{4}$ " (6mm) thick HRS and welded to form a single unit without fasteners. The sides and rear of the outer shell is made of heavy gauge CRS and is welded to the chassis frame to complete the unitized construction and finished with durable Baker Tone paint.

CHJ Series features 24" long (610mm) aluminized steel burners rated at 18,000 BTUH each (5.27kw) located every $5\frac{1}{4}$ " (133mm). Each burner features a separate, independent operator-controlled valve. Cast iron heat deflector radiants are located directly above each burner for an even transfer of radiant heat to the broiling surface. Cast iron burners are optional.

Standard grates are rear-hinged, heavy duty steel rods. Broiler grates are 24" deep (610mm) for maximum production.

The exterior measures $28\frac{1}{4}$ " deep (718mm) plus 8" (203mm) lintel plate or $9\frac{1}{8}$ " (232mm) work deck with plate shelf. Working height measures $33\frac{1}{2}$ " (851mm) with legs, or 20" (508mm) without legs, plus $6\frac{1}{2}$ " (165mm) back splash. Standard widths range $33\frac{1}{2}$ " (851mm) up to $75\frac{3}{4}$ " (1924mm)

Standard features include $3\frac{1}{4}$ " deep stainless steel slide-out water pans and grease drawer, rear gas connections and pressure regulator.

One year limited parts and labor warranty.

Gas Floor Model Charbroilers

CH-6J
CH-8J
CH-10J
CH-12J

Standard Features

- Heavy plate steel, welded unitized construction
- High performance 18,000 BTUH per burner
- Natural or LP gas
- Individual, operator-controlled, adjustable burner valves
- Cast iron radiant heat deflectors above each burner
- $3\frac{1}{4}$ " Deep stainless steel water pans
- $3\frac{1}{4}$ " Deep stainless steel grease drawer
- Stainless steel side panels
- Stainless steel back splash
- Stainless steel splash guards
- Stainless steel heat shield
- Pressure regulator
- Legs with heavy duty casters
- One year limited parts and labor warranty

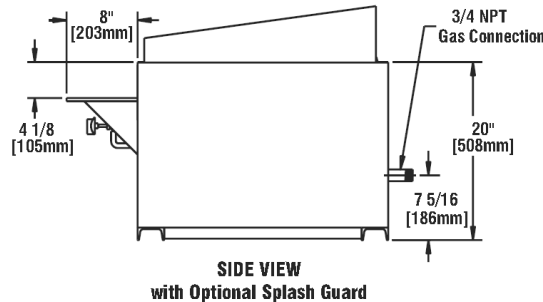
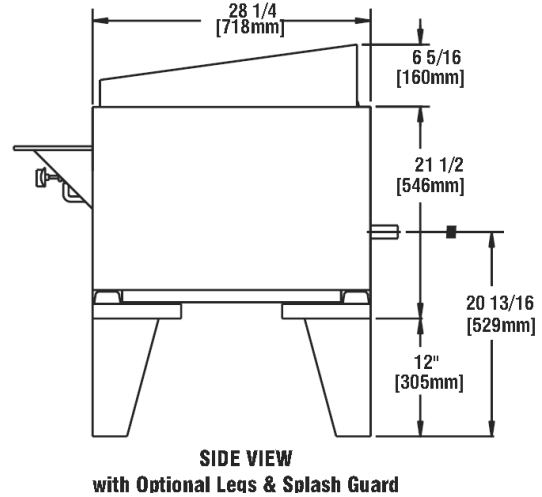
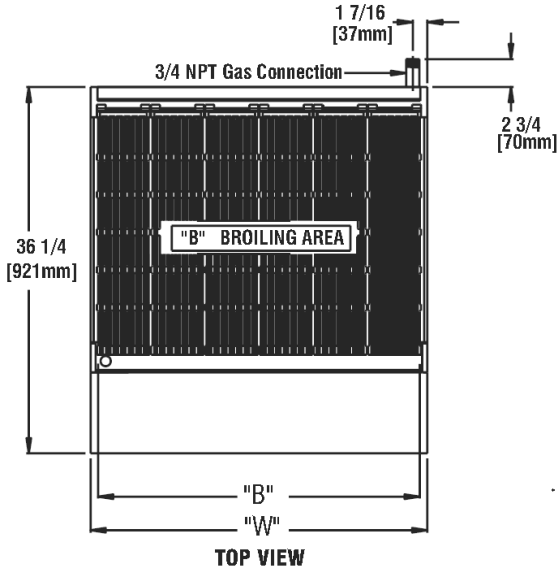
Options & Accessories

- Stainless steel radiants at no extra charge
- Cast iron burners
- Side gas connections
- Charbroiler and grilling accessories
- Log Holders for wood-assisted charbroiling
- Removable, griddle plates
- Gas connector hoses

Certifications



HIGH PERFORMANCE HEAVY DUTY FLOOR MODEL RADIANT CHARBROILERS



All Dimensions Nominal

SHIPPING INFORMATION								
Model	Shipping Weights		Carton Dimensions		Crate Size			
	Lbs.	Kilos	Width inches / (mm)	Depth inches / (mm)	Height inches / (mm)	Cubic Feet	Cubic Meter	
CH-6J	570	259	52 1/2" / 1334	39 1/2" / 1003	37 / 940	44.4	1.26	
CH-8J	660	300	45 / 1143	44 1/2" / 1130	42 / 1041	43.2	1.23	
CH-10J	960	436	60 / 1524	47 1/2" / 1207	40 / 1016	65.2	1.84	
CH-12J	1250	568	71 1/2" / 1816	47 1/2" / 1207	40 / 1016	78.7	2.23	

GAS SUPPLY			
Model	BTUH	KW	CONNECTION
CH-6J	108,000	31.64	3/4"
CH-8J	144,000	42.19	3/4"
CH-10J	180,000	52.74	1"
CH-12J	216,000	63.28	1"

MINIMUM CLEARANCES	
Noncombustible Construction	
	Inches MM
Right	0 / 0
Left	0 / 0
Rear	0 / 0

SPECIFICATIONS							
Model	Broiling Area				Overall Dimensions		
	In.	(mm)	# Top Grates	# of Burners	Width inches / (mm)	Depth* inches / (mm)	Height* Inches / (mm)
CH-6J	31 1/2" x 24"	826 x 610	2	6	36 1/2" / 927	36 1/4" / 921	40" / 1016
CH-8J	43" x 24"	1092 x 610	2	8	47 1/2" / 1197	36 1/4" / 921	40" / 1016
CH-10J	53 3/4" x 24"	1365 x 610	2	10	57 3/4" / 1467	36 1/4" / 921	40" / 1016
CH-12J	64 1/2" x 24"	1638 x 610	2	12	68 1/4" / 1734	36 1/4" / 921	40" / 1016

Continuous product improvement is a policy of Bakers Pride Oven Company. Therefore, specifications and design are subject to change without notification.