

COUNTER TOP ELECTRIC BAKE & ROAST OVENS



Model P46S

Specifications

Bakers Pride® P46S Combination Bake & Roast / Pizza electric countertop ovens feature two independent, operator controlled baking chambers hearth stone decks.

The P46S Combination Oven features a lower chamber with a 7 ½" deck height for baking & roasting while the upper chamber has two hearth decks with 3 ¼" deck heights for pizza, pretzels and flat breads.

The brick lined option adds top heat intensity, speeds recovery and increases production. The brick lined option may be easily installed in the standard P48S either in the field or factory. Hearth stone decks are easily removable for cleaning or replacement.

The P48S features one set of controls for the lower chamber with a 60-minute electric timer and a 140° - 550° F (60° - 288° C) thermostat and another set of controls for the upper chamber with a 15-minute timer and a 284° - 680° F (140° - 360° C) thermostat.

The exterior front, sides and top and doors are fabricated of heavy gauge type stainless steel with a #4 finish. Door handle is constructed of tubular stainless steel. Exteriors measures 26" wide (660mm) by 28" deep (711mm) by 28 ½" tall (724mm).

The interiors are constructed of high heat aluminized steel, welded to form a single unitized body. The entire oven is insulated with 1 1/2" (38mm) thick industrial grade insulation. Each hearth stone deck measures 20 ¾" (527mm) by 20 ¾" (527mm).

Incoloy, tubular heating elements provide top and bottom heat with up to 5750 watts in 208V or 220-240V, single or three phase. International voltages available. Ovens are stackable

1-Year limited parts and labor warranty included.

Model – P46
Model – P46BL

Standard Features

- P46S at 5750 watts in 208V or 220-240V
- Two independent, operator controlled bake/roast chambers each with separate set of controls
- 140°-550°F Temperature range (60°-288°C) in the lower chamber with a 60-minute electronic timer
- 284°- 680°F Temperature range (140°- 360°C) in the upper chamber with a 15-minute electronic timer
- Cordierite hearth decks
- 7 ½" Deck height (190mm) in lower chamber and (2) 3 ¼" deck heights (82mm) in upper chamber
- All stainless steel exterior
- Unitized, welded, aluminized steel interior fully insulated
- 4" (120mm) adjustable legs
- Limited 1-Year parts and labor warranty

Options & Accessories

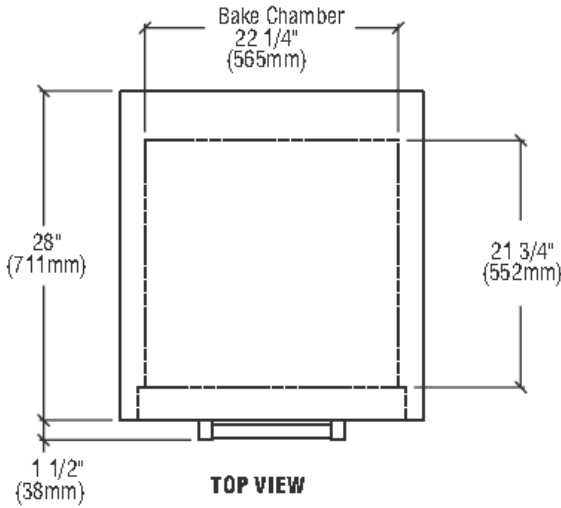
- Stainless steel stand with or without casters
- Brick lined conversion kit – standard on a P46BL
- Steel deck in lieu of Cordierite
- Glass window in doors
- International voltages
- Deck scraper brush
- Stacking kit

Certifications

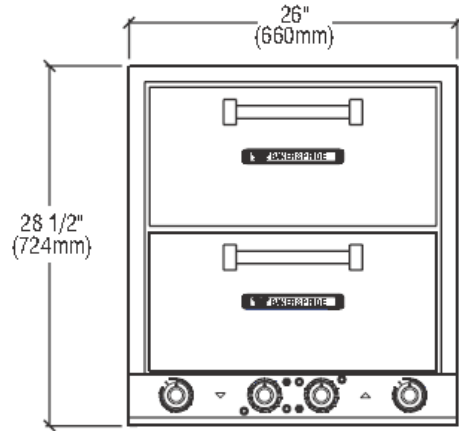




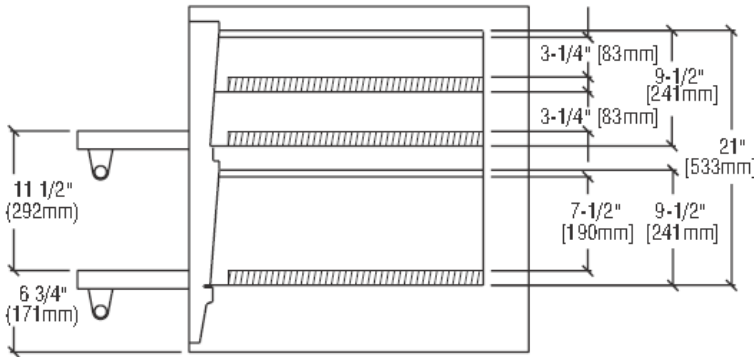
COUNTER TOP ELECTRIC BAKE & ROAST OVENS



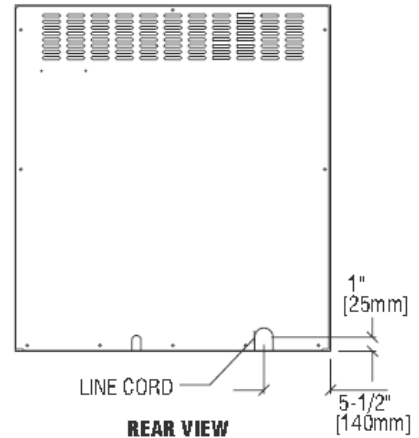
TOP VIEW



FRONT VIEW



SIDE VIEW / SECTION



REAR VIEW

SHIPPING INFORMATION

Model	Shipping Weight		Carton Dimensions				Crate Size	
	lbs.	inches	Width inches / mm	Depth inches / mm	Height inches / mm	Cubic Feet	Cubic Meter	
P-46S	309	140	30 / 762	32 / 813	32 / 813	17.7	.51	
P-46-BL	325	148	30 / 762	32 / 813	32 / 813	17.7	.51	

POWER SUPPLY

Model	VOLTS	VOLTAGE	PHASE	WFS	WFL	MEAL Plug #	Canada	UK	Europe
P-46S/BL	575.0	208	1 & 3	27.6 & 20.3	6-30P	6-50P			
P-46S/BL	575.0	220-240	1 & 3	25.0 & 18.7					

Each oven requires a separate electrical connection.
 1 Phase and Canada include cord and plug.
 2 Phase and International voltages have no line cord.

SPECIFICATIONS

Model	Deck Size		# Decks	# Cook Chambers	Overall Dimensions					
	Inches	mm			Width Inches / mm	Depth ¹ Inches / mm	Height ² Inches / mm			
P-46S	20 3/4 x 20 3/4	527x527	3	2	26 / 660	28 / 711	28 1/2 / 724			

MINIMUM CLEARANCES

	Non-Combustible Construction ¹		Combustible Construction ²	
	Inches	mm	Inches	mm
Left Side	3	76	3	76
Right Side	3	76	3	76
Rear	3	76	3	76

¹ In European Community Countries and North America. In NON-COMBUSTIBLE locations only.
² In European Community Countries only in COMBUSTIBLE locations. NOT for North America.



6-30P



6-50P

Continuous product improvement is a policy of Bakers Pride Oven Company. Therefore, specifications and design are subject to change without notification.