

COUNTER TOP ELECTRIC BAKE & ROAST OVENS



Model P48S

Specifications

Bakers Pride® P48 Bake & Roast electric countertop ovens feature two independent, operator controlled baking chambers with 7 ½" (190mm) deck height and hearth stones, making them ideal for baking and roasting.

The brick lined option adds top heat intensity, speeds recovery and increases production. The brick lined option may be easily installed in the standard P48S either in the field or factory. Hearth stone decks are easily removable for cleaning or replacement.

The P48S features two sets for controls – one set for each bake chamber. Each set consists of a 60-minute electric timer with audible alarms and manual shut-offs and a 150° - 550° F (65° - 288° C) thermostat.

The exterior front, sides and top and doors are fabricated of heavy gauge type stainless steel with a #4 finish. Door handle is constructed of tubular stainless steel. Exteriors measures 26" wide (660mm) by 28" deep (711mm) by 28 ½" tall (724mm).

The interiors are constructed of high heat aluminized steel, welded to form a single unitized body. The entire oven is insulated with 1 1/2" (38mm) thick industrial grade insulation. Each hearth stone deck measures 20 ¾" (527mm) by 20 ¾" (527mm).

Incoloy, tubular heating elements provide top and bottom heat with up to 4300 watts in 208V or 220-240V, single or three phase. International voltages available. Ovens are stackable

1-Year limited parts and labor warranty included.

Model – P48

Model – P48BL

Standard Features

- P48S at 4300 watts in 208V or 220-240V
- Two independent, operator controlled bake/roast chambers each with separate set of controls
- 150°-550°F Temperature range (65°-288°C)
- Two electric 60-Minute timer with continuous ring alarm and manual shut-off
- Cordierite hearth decks
- 7 ½" Deck height (190mm)
- All stainless steel exterior
- Unitized, welded, aluminized steel interior fully insulated
- 4" (120mm) adjustable legs
- Limited 1-Year parts and labor warranty

Options & Accessories

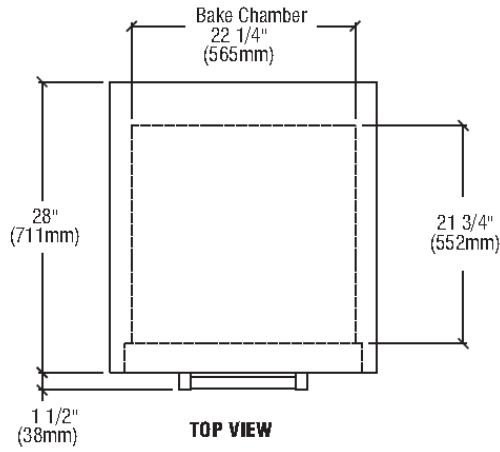
- Stainless steel stand with or without casters
- Brick lined conversion kit – standard on a P48BL
- Steel deck in lieu of Cordierite
- Glass window in doors
- International voltages
- Deck scraper brush
- Stacking kit

Certifications

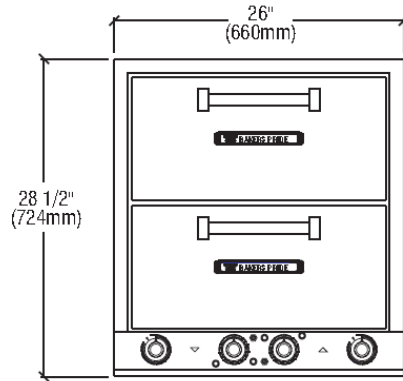




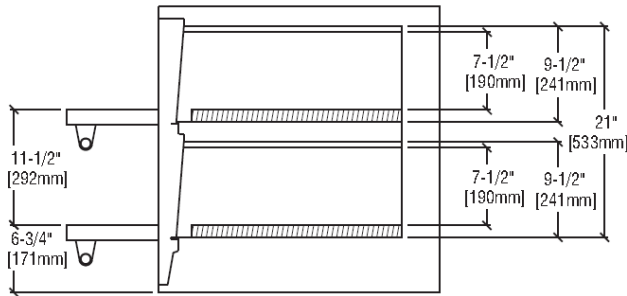
COUNTER TOP ELECTRIC BAKE & ROAST OVENS



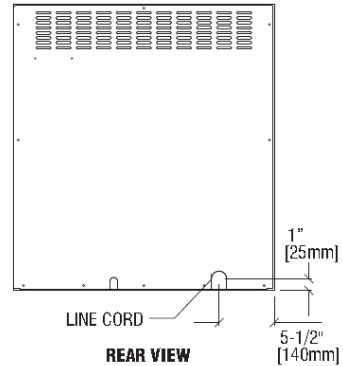
TOP VIEW



FRONT VIEW



SIDE VIEW / SECTION



REAR VIEW

SHIPPING INFORMATION

Model	Shipping Weight		Carton Dimensions					Crate Size	
	Lbs.	Kilos	Width Inches / mm	Depth Inches / mm	Height Inches / mm	Cubic Feet	Cubic Meter		
P48S	278	126	30 / 762	32 / 813	32 / 813	17.7	.51		
P48BL	288	131	30 / 762	32 / 813	32 / 813	17.7	.51		

POWER SUPPLY

Model	WATTS	VOLTAGE	PHASE	AMPS	NEMA Plug #		
					USA	Canada	UK / Europe
P48S/BL	4300	208	1 ϕ 3	20.7 ϕ 20.7	6-30P		
P48S/BL	4300	220-240	1 ϕ 3	18.7 ϕ 18.7			

Each oven requires a separate electrical connection.
 1 Phase and Canada include cord and plug
 3 Phase and International voltages has no line cord

SPECIFICATIONS

Model	Deck Size		# Decks	# Cook Chambers	Overall Dimensions					
	Inches	mm			Width Inches / mm	Depth Inches / mm	Height Inches / mm			
P48S/BL	20 3/4 x 20 3/4	527x527	2	2	26	660	28	711	28 1/2	724

MINIMUM CLEARANCES

	Non-Combustible Construction*		Combustible Construction**	
	Inches	mm	Inches	mm
Left Side	3	76	3	76
Right Side	3	76	3	76
Rear	3	76	3	76

* In European Community Countries and North America. In NON-COMBUSTIBLE locations only.
 ** In European Community Countries only in COMBUSTIBLE locations. NOT for North America.



6-30P

Continuous product improvement is a policy of Bakers Pride Oven Company. Therefore, specifications and design are subject to change without notification.