



SUPER DECK DS DSP SERIES GAS DECK OVENS



DS -805 DSP
shown without top riser
and without skirts

SPECIFICATIONS

BAKERS PRIDE Super Deck DS DSP gas Deck Ovens are ideal for display cooking and exhibition kitchens. These ovens are designed and engineered to be "built-in" behind brick, stone or tile applied directly to ovens exterior or finished and trimmed in brass, copper, stainless or powder-coated trim.

Ovens may be stacked two high. Oven exteriors are all heavy-gauge, type 403 stainless steel and are fully insulated up to 5" (127mm) thick for cooler outer temperatures and consistent interior temperatures.

Interior oven frame is constructed of 1/4" (6mm) heavy-duty angle iron frame, completely welded to form a single, unitized section. The oven body and lining are then welded to the framework.

Oven interiors are manufactured of high-heat resistant 16-gauge aluminized steel. Doors are fully insulated, spring balanced to remain open or closed until moved and finished in black powder coat with hard wood handles.

All models feature independent, operator-controlled top & bottom heat control dampers and micro slides for perfectly balanced results.

DS DSP Series features a 300°-650° F (149°-343°C) throttling thermostat, 6 3/4" (171mm) interior deck height with 1 1/2" (38mm) thick hearth stone decks (steel decks optional) and are supported by a 1/4" (6mm) angle iron frame.

Combination gas control incorporates a manual gas valve, pilot safety and pressure regulator. Easily removable, slide-out, heavy-duty flame diverters distributes the burner flame uniformly in the burner chamber. A 3/4" (19mm) NPT gas connection is located on the left side and left rear of oven - operator/installer may choose.

Heavy-duty, 7-gauge hot rolled steel legs are standard and finished with durable Bakertone Gray.

2 Year limited part and labor warranty standard.

Job _____ Item # _____

GAS DECK OVENS



- Model DS-805 DSP Single
- Model DS-990 DSP Double

STANDARD FEATURES

- DS Series @ 70,000 BTUH per deck, natural or LP gas
- 300°-650° F (149°-343°C) throttling thermostat
- Top & bottom heat control dampers & micro-slides
- Combination gas controls with valve, regulator & pilot safety
- Heavy-duty, slide-out flame diverter
- 6 3/4" (171mm) interior deck heights with 1 1/2" (38mm) thick hearth stone decks
- All stainless steel exteriors
- Aluminized steel interiors
- Spring balanced, fully insulated doors finished in black powder coat with custom hardwood handles or stainless steel with tubular steel handles
- Front or side mounted controls with large, hinged access door in black powder coat or stainless steel
- Riser top removable for field installations
- Front & side skirts
- Side or rear gas connections on models with front mounted controls - rear gas connections only on models with side mounted controls
- 7-Gauge legs finished in Bakertone Gray
- Fully insulated throughout
- 2 Year limited part and labor warranty

OPTIONS & ACCESSORIES

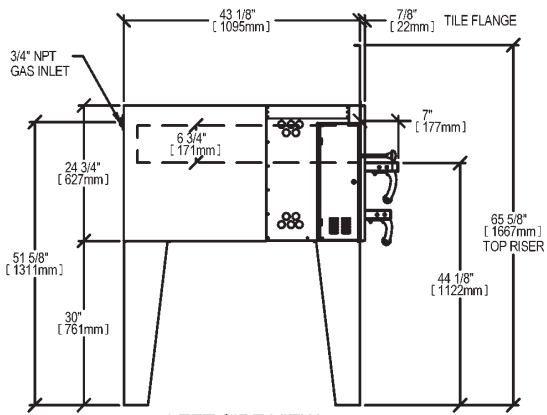
- Steel decks in lieu of hearth decks
- 150°-550° F (65°-288°C) thermostat
- 350°-700° F (149°-371°C) thermostat
- Set of 4 casters - two with locks - not for use with skirts
- Stainless steel leg covers
- Special height legs
- Automatic oven starter
- Draft flue for direct vent (not available on CE units)
- Without dome/riser and/or without skirts

CERTIFICATIONS

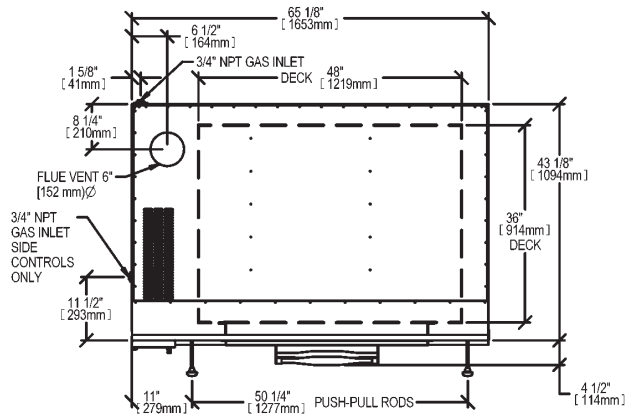


BAKERS PRIDE OVEN COMPANY, INC.
30 Pine Street, New Rochelle, NY 10801
914/576-0200 • 1-800-431-2745 • fax 914/576-0605
www.bakerspride.com

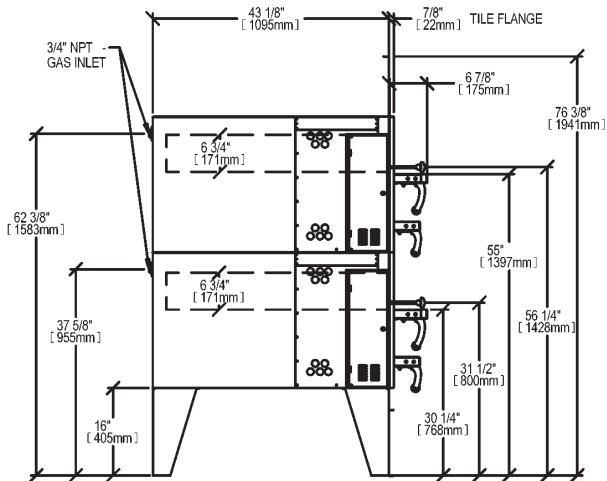
Continuous product improvement is a policy of Bakers Pride Oven Company. Therefore, specifications and design are subject to change without notification



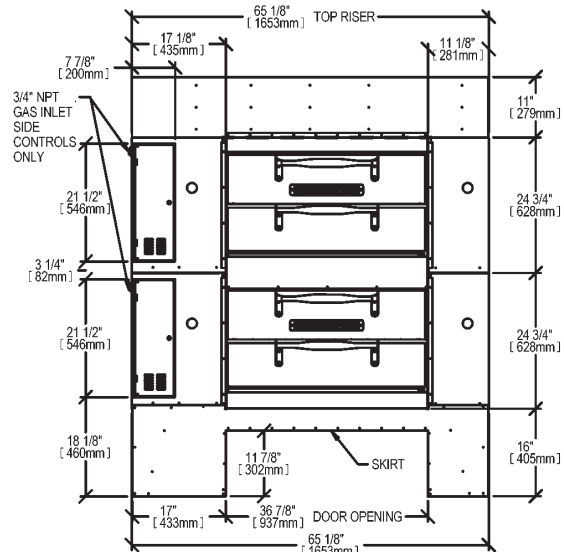
LEFT SIDE VIEW
SINGLE UNIT WITH SIDE CONTROLS



TOP VIEW



LEFT SIDE VIEW
STACKED UNIT WITH SIDE CONTROLS



FRONT VIEW
STACKED UNIT WITH FRONT CONTROLS

ALL DIMENSIONS NOMINAL

Model	Shipping Weight		Carton Dimensions				Crate Size			
	Lbs.	Kilos	Width Inches	mm	Depth Inches	mm	Height Inches	mm	Cubic Feet	Cubic Meter
DS-805	1073	487	31	787	60	1365	86	2184	78	2.8

Each oven ships separately
Hearth Decks and Legs ship in separate cartons

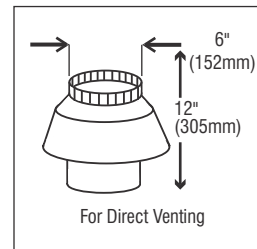
GAS SUPPLY			
Model	BTUH	KW	CONNECTION
DS-805	70,000	20.5	3/4"
DS-990	140,000	41.0	3/4"

CE certification not available in LP gas

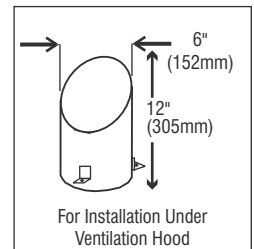
Model	Deck Sizes		# Decks	Overall Dimensions					
	in.	mm		Width Inches	mm	Depth Inches	mm	Height* Inches	mm
DS-805	48 x 36	1219 x 914	1	65 1/4	1651	43	1092	54 7/8	1394
DS-990	48 x 36	1219 x 914	2	65 1/4	1651	43	1092	65 3/4	1670

* Overall height excludes dome/riser top

	Noncombustible Construction		Combustible Construction	
	Inches	mm	Inches	mm
Right	0	0	1	25
Left	0	0	3	76
Rear	2	51	3	76



MUST BE SPECIFIED
AT TIME OF ORDER



STANDARD



BAKERS PRIDE OVEN COMPANY, INC.
30 Pine Street, New Rochelle, NY 10801
914/576-0200 • 1-800-431-2745 • fax 914/576-0605
www.bakerspride.com

Continuous product improvement is a policy of Bakers Pride Oven Company.
Therefore, specifications and design are subject to change without notification

TSW:07/06