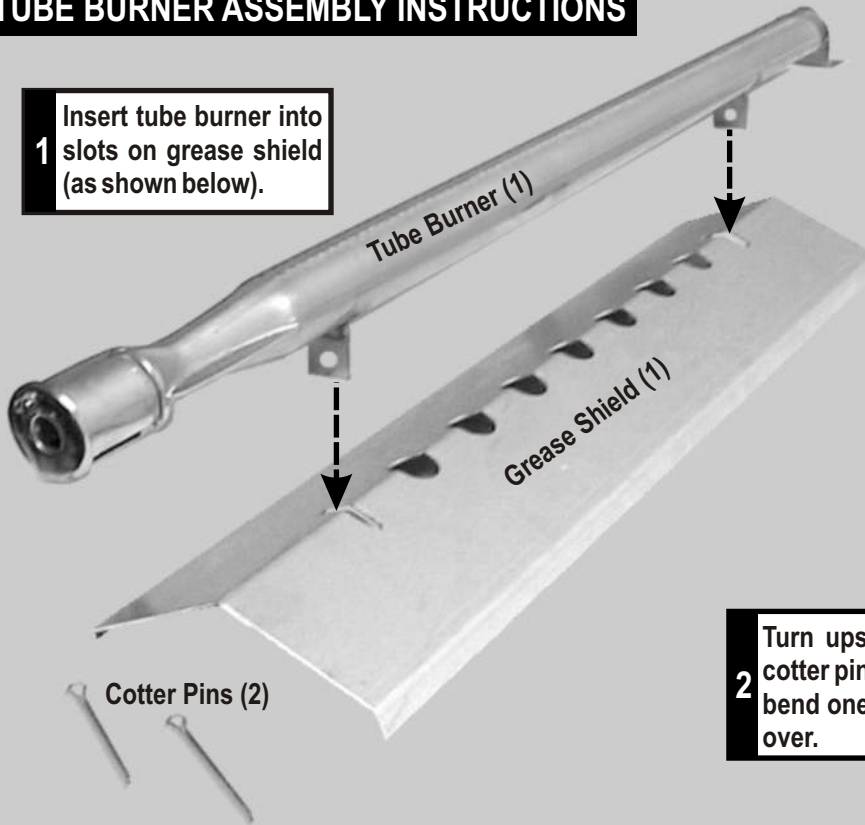
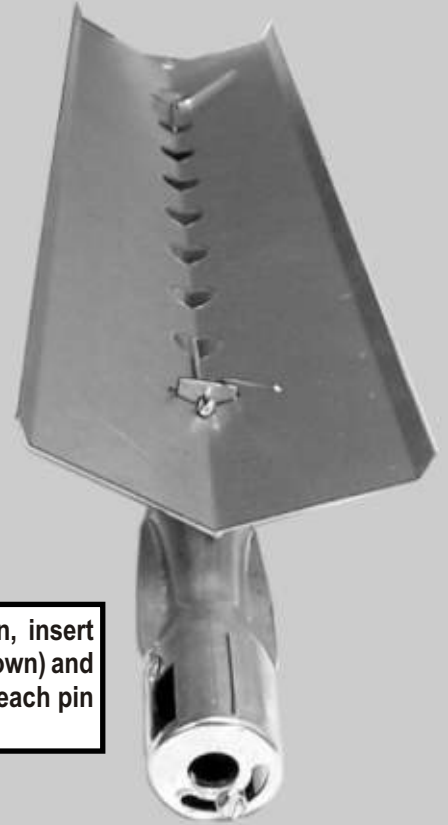


TUBE BURNER ASSEMBLY INSTRUCTIONS

1 Insert tube burner into slots on grease shield (as shown below).

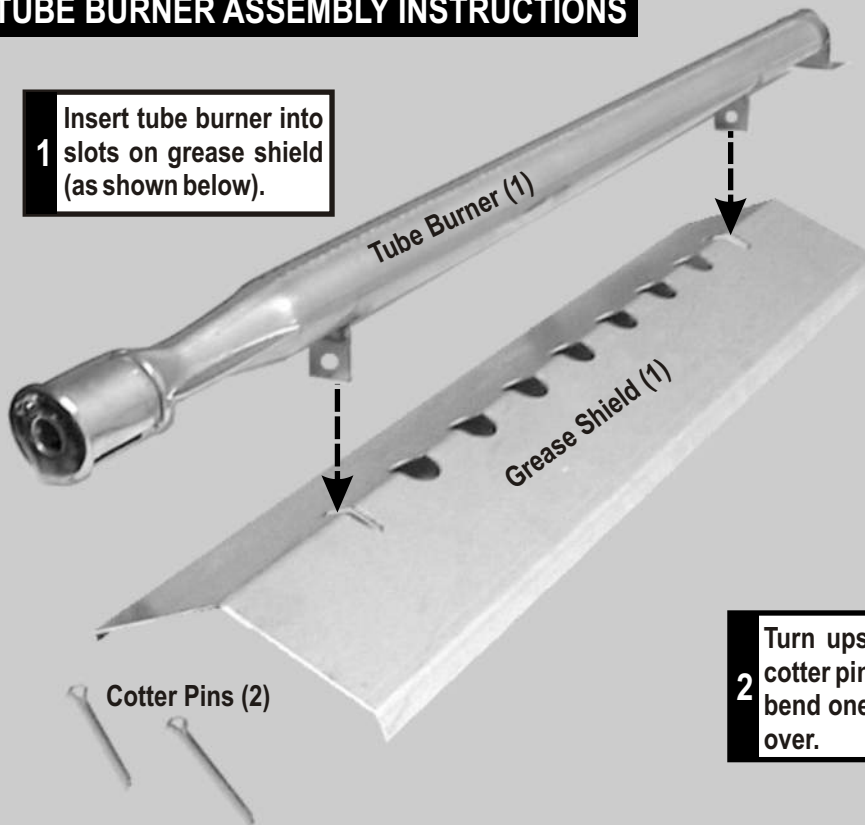


2 Turn upside down, insert cotter pins (as shown) and bend one side of each pin over.



TUBE BURNER ASSEMBLY INSTRUCTIONS

1 Insert tube burner into slots on grease shield (as shown below).



2 Turn upside down, insert cotter pins (as shown) and bend one side of each pin over.

