



## SUPER DECK Y SERIES GAS DECK OVENS



**Model Y-602BL**  
with optional casters

**LIGHTENING**  
NEW BRICK LINED

QUICKER BAKE  
TIME & RECOVERY,  
INCREASE  
PRODUCTION  
& ENERGY  
SAVINGS

### SPECIFICATIONS

BAKERS PRIDE New Lightening Y-600BL Brick Lined oven features a completely hearth stone brick-lined ceiling and delivers quick bake times, faster recovery, increased production and energy savings!

Ovens may be stacked two high. Oven exteriors are all heavy-gauge, type 403 stainless steel and are fully insulated up to 5" (127mm) thick for cooler outer temperatures and consistent interior temperatures.

Interior oven frame is constructed of 1/4" (6mm) heavy-duty angle iron frame, completely welded to form a single, unitized section. The oven body and lining are then welded to the framework.

Oven interiors are manufactured of high-heat resistant 16-gauge aluminized steel. Doors are fully insulated, spring balanced with tubular steel handles and will remain open or closed until moved.

All models feature independent, operator-controlled top & bottom heat control dampers and micro slides for perfectly balanced results.

Y Series features a 300°-650° F (149°-343°C) throttling thermostat, 8" (203mm) interior deck height with 1 1/2" (38mm) thick hearth baking decks (steel decks optional) and are supported by a 1/4" (6mm) angle iron frame.

Ceiling is brick-lined for quicker bake times, faster recovery, increased production and energy savings.

Combination gas control incorporates a manual gas valve, pilot safety and pressure regulator. Easily removable, slide-out, heavy-duty flame diverters distribute the burner flame uniformly in the burner chamber. A 3/4" (19mm) NPT gas connection is located on the left side and left rear of oven - operator/installer may choose.

Heavy-duty, 7-gauge hot rolled steel legs are standard and finished with durable Bakertone.

2 Year limited part and labor warranty standard.

Job \_\_\_\_\_ Item # \_\_\_\_\_

### BRICK-LINED GAS DECK OVENS

- Model Y-600BL Single
- Model Y-602BL Double

### STANDARD FEATURES

- Y Series @ 120,000 BTUH per deck, natural or LP gas — CE not available in LP gas
- 300°-650° F (149°-343°C) throttling thermostat
- Top & bottom heat control dampers & micro-slides
- Combination gas controls with valve, regulator & pilot safety
- Heavy-duty, slide-out flame diverters
- 8" (203mm) interior deck heights with 1 1/2" (38mm) thick hearth stone baking decks
- Hearth stone brick-lined ceiling
- All stainless steel exteriors
- Aluminized steel interiors
- Spring balanced, fully insulated doors
- Side or rear gas connections
- 7-Gauge legs
- Fully insulated throughout
- 2 Year limited part and labor warranty

### OPTIONS & ACCESSORIES

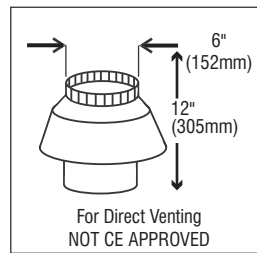
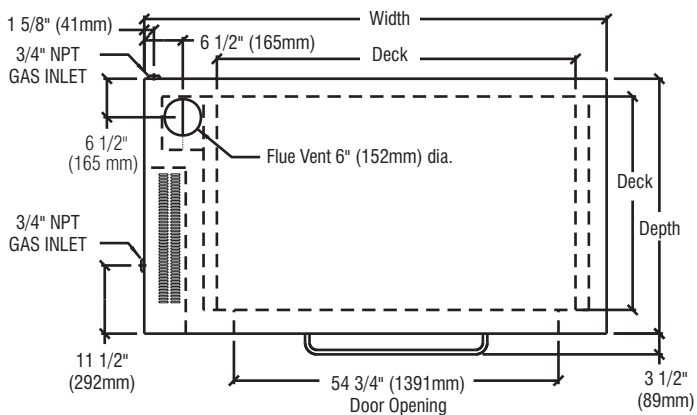
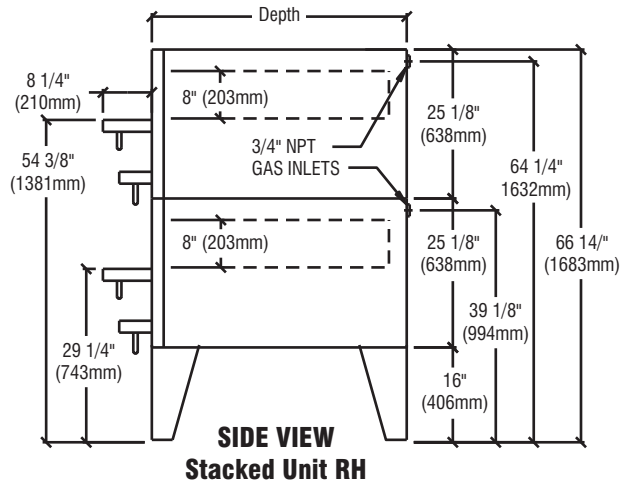
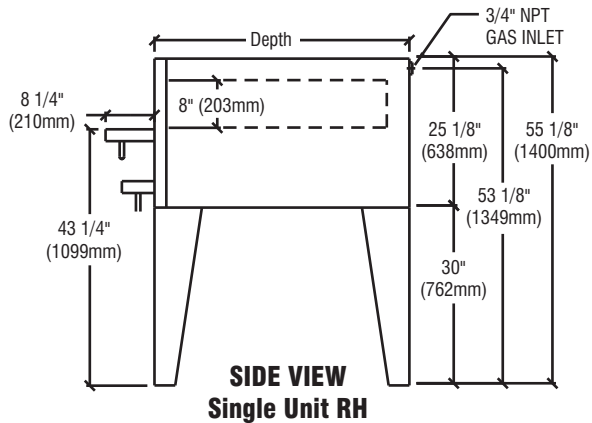
- Side-mounted controls
- Steel decks
- Light stone decks
- 150°-550° F (65°-288°C) thermostat
- Set of 4 casters - two with locks
- Stainless steel leg covers
- Special height legs
- Steam Injection
- Automatic oven starter
- Draft flue for direct vent (not available on CE units)
- Fire brick hearth decks (Y-600/602 only)
- Black powder-coated bake chamber and combustion chamber doors with hardwood handles
- Black powder-coated hinged control panel door
- DSP style - apply stone or tile finish directly to oven exterior - skirts provided

### CERTIFICATIONS

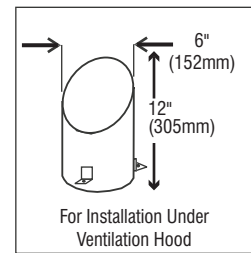


BAKERS PRIDE OVEN COMPANY, INC.  
30 Pine Street, New Rochelle, NY 10801  
914/576-0200 • 1-800-431-2745 • fax 914/576-0605  
www.bakerspride.com

*Continuous product improvement is a policy of Bakers Pride Oven Company. Therefore, specifications and design are subject to change without notification*



**MUST BE SPECIFIED  
AT TIME OF ORDER**



**STANDARD**

ALL DIMENSIONS NOMINAL

| Model   | Shipping Weight |       | Carton Dimensions |     |        |      | Crate Size |       |    |     |
|---------|-----------------|-------|-------------------|-----|--------|------|------------|-------|----|-----|
|         | Lbs.            | Kilos | Width             |     | Depth  |      | Height     | Cubic |    |     |
|         |                 |       | Inches            | mm  | Inches | mm   | Inches     | Feet  |    |     |
| Y-600BL | 1385            | 626   | 31                | 787 | 53     | 1364 | 82         | 2083  | 76 | 2.4 |

Shipping class — #70  
Each oven ships separately  
Hearth Decks and Legs ship in separate cartons

| GAS SUPPLY |         |       |            |
|------------|---------|-------|------------|
| Model      | BTUH    | KW    | CONNECTION |
| Y-600BL    | 120,000 | 35.15 | 3/4"       |
| Y-602BL    | 240,000 | 70.30 | 3/4"       |

CE certification not available in LP gas

| Model   | Deck Sizes |            |     | # Decks | Overall Dimensions |    |        |        |        |    |
|---------|------------|------------|-----|---------|--------------------|----|--------|--------|--------|----|
|         | Deck       |            | in. |         | Width              |    | Depth  |        | Height |    |
|         | in.        | mm         |     |         | Inches             | mm | Inches | mm     | Inches | mm |
| Y-600BL | 36 x 60    | 914 x 1524 | 1   | 78      | 1981               | 43 | 1092   | 55 1/8 | 1400   |    |
| Y-602BL | 36 x 60    | 914 x 1524 | 2   | 78      | 1981               | 43 | 1092   | 66 1/4 | 1683   |    |

|       | Noncombustible Construction |    | Combustible Construction |    |
|-------|-----------------------------|----|--------------------------|----|
|       | Inches                      | mm | Inches                   | mm |
| Right | 0                           | 0  | 1                        | 25 |
| Left  | 0                           | 0  | 3                        | 76 |
| Rear  | 2                           | 51 | 3                        | 76 |



BAKERS PRIDE OVEN COMPANY, INC.  
30 Pine Street, New Rochelle, NY 10801  
914/576-0200 • 1-800-431-2745 • fax 914/576-0605  
www.bakerspride.com

Continuous product improvement is a policy of Bakers Pride Oven Company. Therefore, specifications and design are subject to change without notification

LIGHTNING-Y-600BL — TSW: 12/08