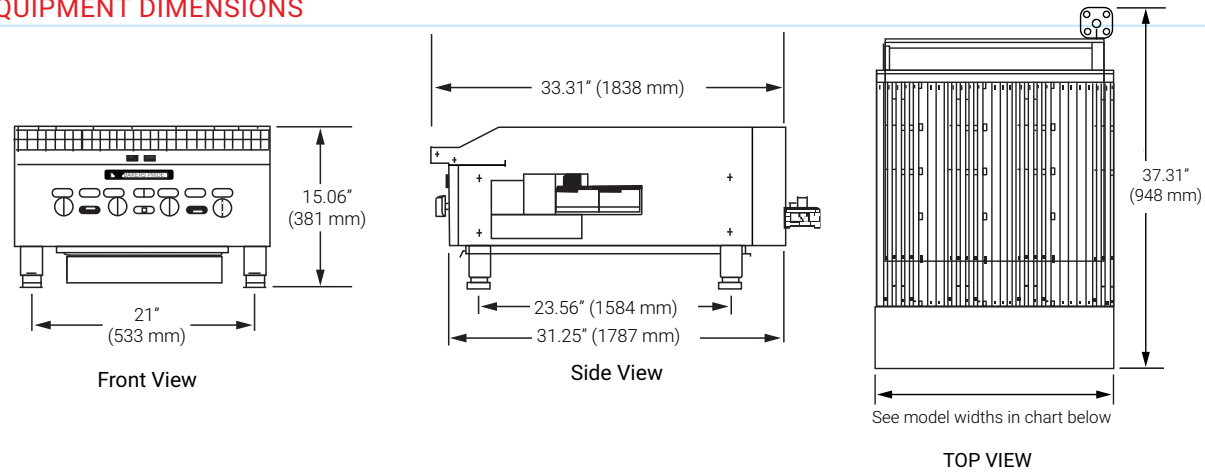


**EQUIPMENT DIMENSIONS**



**MECHANICAL SPECIFICATIONS**

Model #	BTU	# Grates	# Burners	Broiling Area	Overall Dim (W x H x D)	Ship Wt.
BPHCB-2424i & BPHCRB-2424i	80,000	4	4	21.5" x 24" (546 x 610)	24" x 15.25" x 33.25" (610 x 387 x 846)	167 (76kg)
BPHCB-2436i & BPHCRB-2436i	120,000	6	6	21.5" x 36" (546 x 914)	36" x 15.25" x 33.25" (915 x 387 x 846)	225 (102kg)
BPHCB-2448i & BPHCRB-2448i	160,000	8	8	21.5" x 48" (546 x 1219)	48" x 15.25" x 33.25" (1219 x 387 x 846)	335 (152kg)
BPHCB-2460i & BPHCRB-2460i	200,000	10	10	21.5" x 60" (546 x 1524)	60" x 15.25" x 33.25" (1524 x 387 x 846)	478 (217kg)
BPHCB-2472i & BPHCRB-2472i	240,000	12	12	21.5" x 72" (546 x 1829)	72" x 15.25" x 33.25" (1829 x 387 x 846)	613 (278kg)

**REQUIRED CLEARANCES**

Left	10" (254 mm)
Right	10" (254 mm)
Back	10" (254 mm)

**GAS CONNECTIONS**

Combustible Natural or LP gas  
 3/4" NPT rear gas connection

**ACCESSORIES**

- Glo-Stones
- Flame failure safety pilot and CE approval
- Stainless steel or Richlight front-mounted work deck with or without sauce pan cut-outs
- Gas connector hoses, removable griddle plates, grate lifters, and stainless steel equipment stands
- Log holders
- Meat grates & floating rods grates



Freight Class: 70, FOB Nogales, AZ 85621

Bakers Pride Oven Company, LLC is a wholly owned subsidiary of Standex International Corporation.



**HD COOKLINE COUNTERTOP CHARBROILERS  
 SERIES: BPHCB & BPHCRB**



# FLEXIBLE. POWERFUL.

**Flexible grates for anything you cook.** Cast-iron grates are standard but you may choose floating rod, fish or meat grates at no extra charge. The grates can be tilted in three separate positions.

**Powerful 20,000 BTUH burners.** Under the cast-iron radiants, our heavy-duty, clog-proof burners are 21" long and can be configured to burn natural or LP gas. Each burner is independently controlled. A flame failure safety pilot is optional for CE approval. 3/4" NPT rear gas connection.

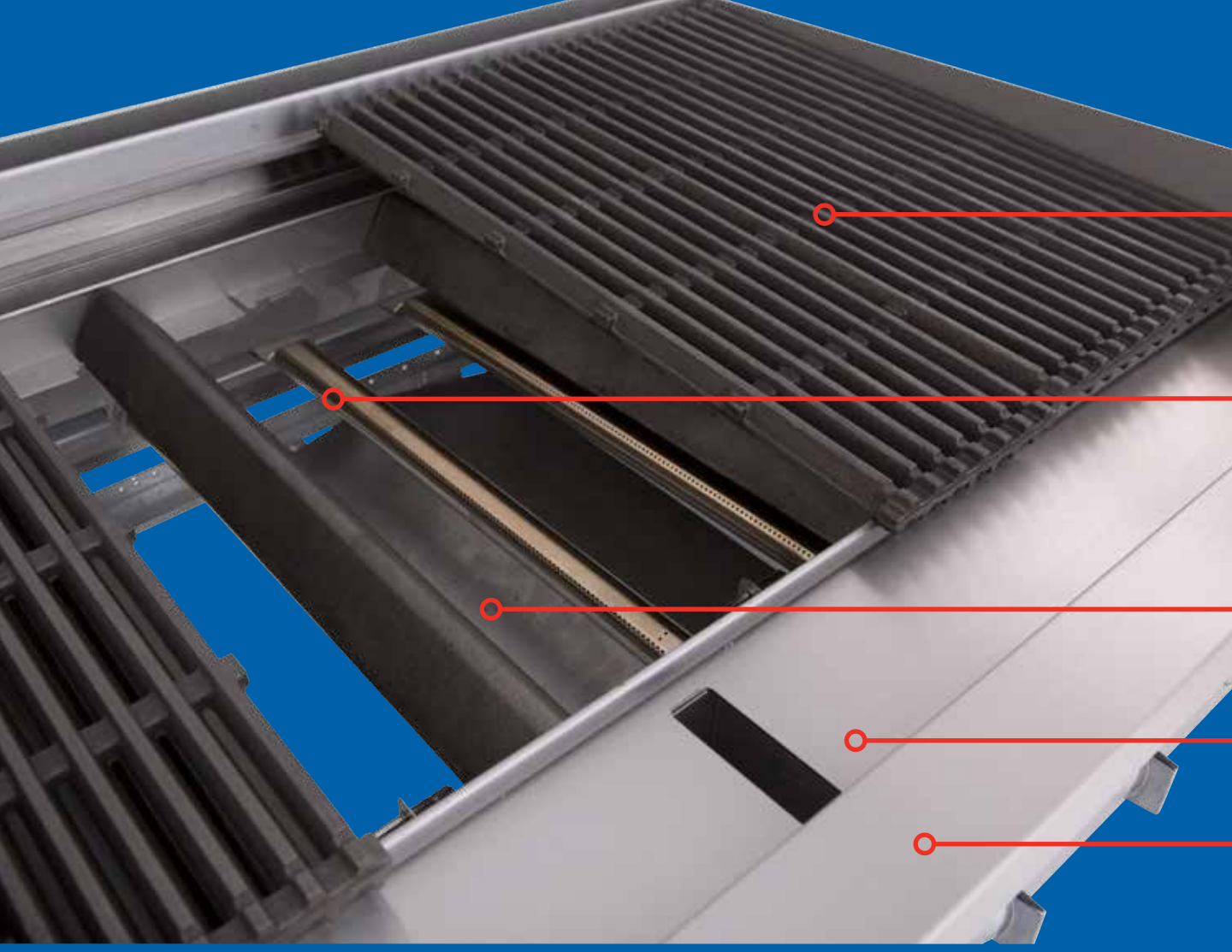
**Glo-Stones for ambiance and flavor.** Glo-Stones are standard on our BPHCRB models and optional on BPHCB models.

**Countertop profile.** The low profile is perfect for countertop use but optional stands are available to fit any space.

**All stainless steel exterior.** Fully welded for durability. Add options like workdecks with pan cutouts for sauces.

The Bakers Pride® BPHCCB & BPHCRB series charbroilers are designed for heavy-duty broiling in a low-profile, countertop design. Models offer a range of widths (from 24" to 72") and from four to twelve burners. All models feature heavy-duty construction and a high output of 20,000 BTUH per burner for maximum performance.

The BPHCB models come standard with cast-iron radiants to ensure consistent temperatures over long hours of use, but are also available with optional Glo-Stones. On the BPHCRB models, Glo-Stones are standard for enhanced flavor and grilling ambiance. Standard grates are cast iron, or choose floating rod or meat grates at no extra charge. Grates may be adjusted in three separate titling positions for increased flexibility and temperature control. All models have optional griddles and work shelves.



## TWO-YEAR WARRANTY

At Bakers Pride we stand behind our products with a two-year limited warranty.



CALL OR VISIT THE BAKERS PRIDE WEBSITE TO LEARN MORE.

**800.431.2745**

**BAKERSPRIDE.COM**