

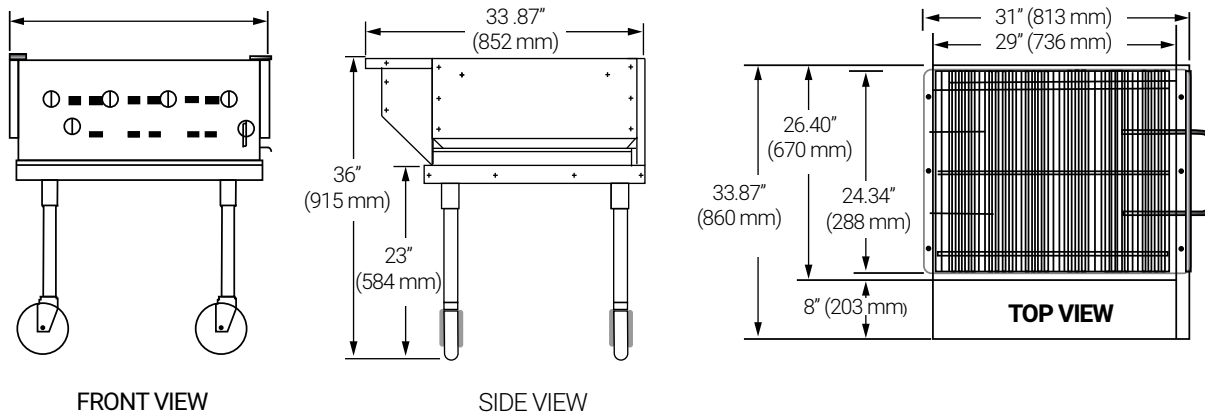


CBBQ SERIES CHARBROILERS

11.13.2017

EQUIPMENT DIMENSIONS

See model widths in chart below



MECHANICAL SPECIFICATIONS

Model #	BTU	KW	# Grates	# Burners	Broiling Area	Overall Dim (W x H x D)*	Ship Wt.
CBBQ-30	80,000	23.44	1	4	29" x 24" (736 x 610)	31" x 36" x 33.87" (813 x 915 x 860)	300 (136kg)
CBBQ-60	160,000	46.88	2	8	58" x 24" (1473 x 610)	62" x 36" x 33.87" (1575 x 915 x 860)	500 (227kg)

*Height includes legs

GAS CONNECTIONS

Model #	Gas	Connection	# of Connections
CBBQ-30	LP	3/8"	1
CBBQ-60	NAT	3/4"	1
CBBQ-30	LP	3/8"	2
CBBQ-60	NAT	3/4"	1

ACCESSORIES

- 40 lb. LP tanks
- Propane tank caddy
- Stainless steel undershelves
- 30" (762 mm) wide in-line griddle plate
- Smoke & roast roll-top hood; 30" (762 mm) or 60" (1524 mm)
- 11" (279 mm) wide removable griddle plate
- All-weather covers
- Gas connector hose
- Side-mounted work deck
- Rear-mounted work deck
- Wind/splash guards; 30" (762 mm)
- Steamer system; 15" (381 mm) wide (pans not included)
- Richlite cutting boards for front-mounted work decks; 30" (762 mm) or 60" (1524 mm)



ULTIMATE OUTDOOR CHARBROILERS SERIES: CBBQ



Freight Class: 70, FOB Nogales, AZ 85621

Bakers Pride Oven Company, LLC is a wholly owned subsidiary of Standex International Corporation.

www.bakerspride.com | p: 800.431.2745



1307 N. Watters Rd. Suite 180 Allen TX, 75013



BUILT BY CRAFTSMEN. TESTED BY TIME®



THE ULTIMATE GRILL

Powerful 20,000 BTUH burners. Under the stainless steel radiants, our heavy-duty, clog-proof burners can be configured to burn natural or LP gas. Each burner is independently controlled. A crossover pilot makes lighting easy.

Wide array of options. Add options like stainless steel undershelves, side-mounted work deck, or Richlite cutting boards for front mounted work decks.

Built tough. The stainless steel construction is easy to clean and stands up to outdoor elements.

Bakers Pride® CBBQ series charbroilers are designed for all your outdoor cooking needs—from broiling and grilling to steaming, roasting, and holding—all in a single piece of equipment. These high production charbroilers are available in 30" and 60" widths with four or eight burners. All models come standard with an all-stainless exterior, nickel-chrome-plated top grates, and a crossover pilot tube system for added safety.

Base models come with stainless steel, front-mounted work decks, stand, legs, and casters, while built-in models also include front removable grease/water pans and roll-top hoods.

Choose from a variety of other options for added performance, such as mobile tank caddies, smoke and roast roll-top hoods, steamer systems, and wind/splash guards.



ONE-YEAR WARRANTY

At Bakers Pride we stand behind our products with a one-year limited warranty.



CALL OR VISIT THE BAKERS PRIDE WEBSITE TO LEARN MORE.

800.431.2745

BAKERSPRIDE.COM